

Ref. No.	Issuer company	Issue (yyyy/mm/dd)	Last modification (yyyy/mm/dd)	
PV14NEX515	Digital Imaging Group	2014/07/22	2017/02/16	
<b>Subject</b>				
<b>Improvement of the Stationary Barrel's Crack Problem and the Announcement of the Compatibility and Discrete Parts Information</b>				
Model (System model)	Destination	Serial number	Color	
SELP1650 (Made in Thailand)	All	1 <sup>st</sup> : 2061077 2 <sup>nd</sup> : 2662267 3 <sup>rd</sup> : 4715952	~ 1 <sup>st</sup> : 2662266 2 <sup>nd</sup> : 4715951	Black
SELP1650 (Made in Thailand)	All	1 <sup>st</sup> : 5893571 2 <sup>nd</sup> : 6504387 3 <sup>rd</sup> : 8197449	~ 1 <sup>st</sup> : 6504386 2 <sup>nd</sup> : 8197448	Silver
SELP1650 (Made in CHINA)	All	3 <sup>rd</sup> : 0010800	~	Black
SELP1650 (Made in CHINA)	All	3 <sup>rd</sup> : 0409642	~	Silver

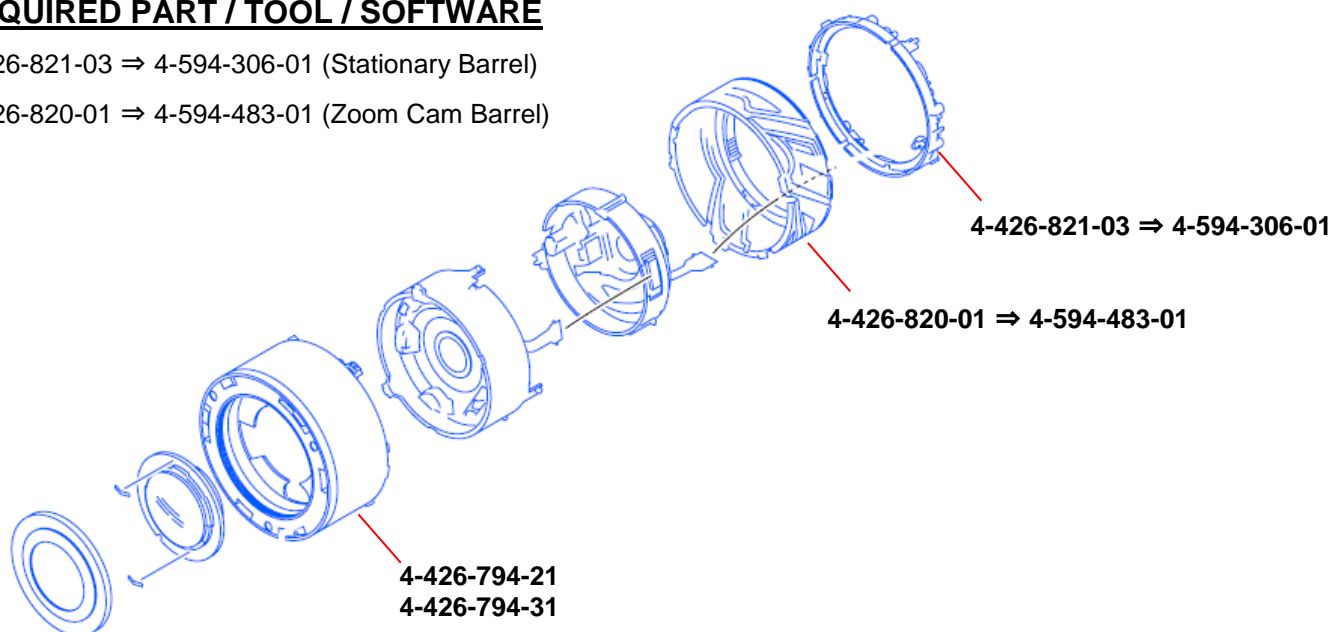
## SYMPTOM

A shock could cause the Stationary Barrel to crack and the lens cannot be recognised by the camera.

## REQUIRED PART / TOOL / SOFTWARE

4-426-821-03 ⇒ 4-594-306-01 (Stationary Barrel)

4-426-820-01 ⇒ 4-594-483-01 (Zoom Cam Barrel)



## SOLUTION

When exchanging a part, please exchange a set of following 3 parts.

- 4-594-306-01 (Stationary Barrel)
- 4-594-483-01 (Zoom Cam Barrel)
- 4-426-794-21 (1ST MOVING FRAME (Black)) or 4-426-794-31 (1ST MOVING FRAME (Silver))

## Reference information

### Improvements

1st: In order to enhance solidity, padding was added to the circumference of the Stationary Barrel's claw.

2nd: In order to enhance solidity further, additional padding was added to the circumference of the Stationary Barrel's claw. In this case, the padding interferes with the 1 Group Block Assy (1st Moving Frame).

Therefore, the 1 Group Block Assy (1st Moving Frame) has been modified.

3rd: In order to enhance solidity further, additional padding was added to the circumference of the Stationary Barrel's claw. In this case, the padding interferes with the Zoom Cam Barrel.

Therefore, the Zoom Cam Barrel has been modified.

### REQUIRED PART / TOOL / SOFTWARE

The following part will be provided as a discrete part.

4-426-821-01 ⇒ 4-426-821-02 (1st improvement) ⇒ 4-426-821-03 (2nd improvement) ⇒  
4-594-306-01 (3rd improvement) / Stationary Barrel

A-1897-552-A ⇒ A-1897-552-B/ 1 Group Block Assy (BLACK)

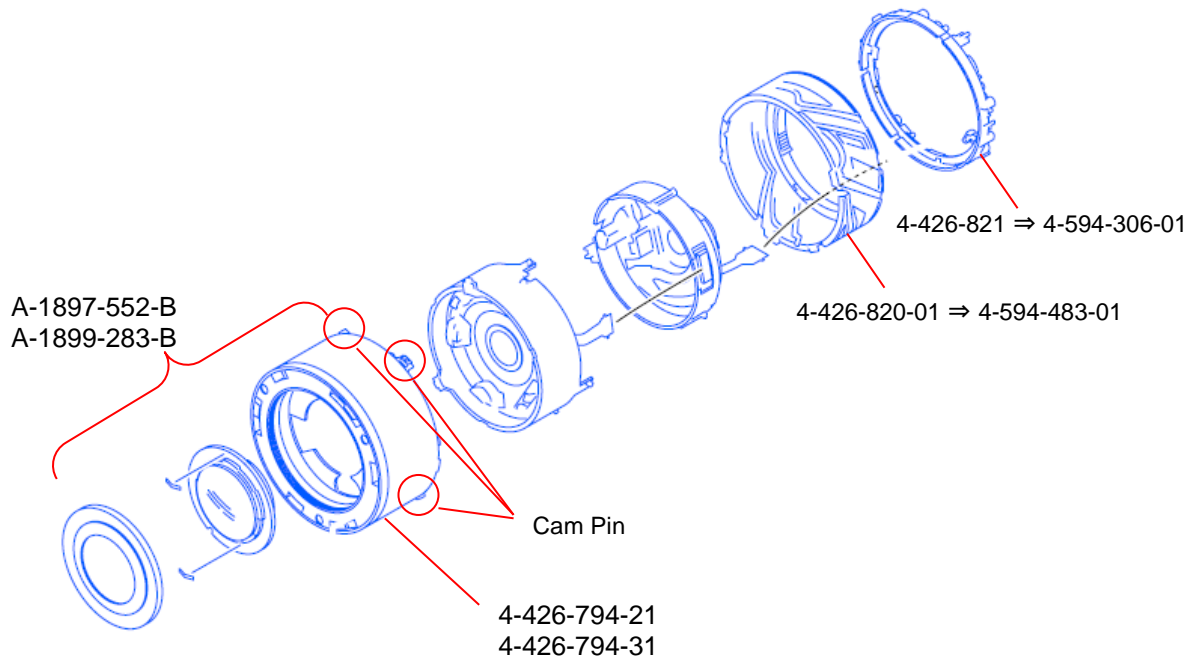
A-1899-283-A ⇒ A-1899-283-B/ 1 Group Block Assy (SLVER)

4-426-794-21 : 1ST MOVING FRAME (Black)

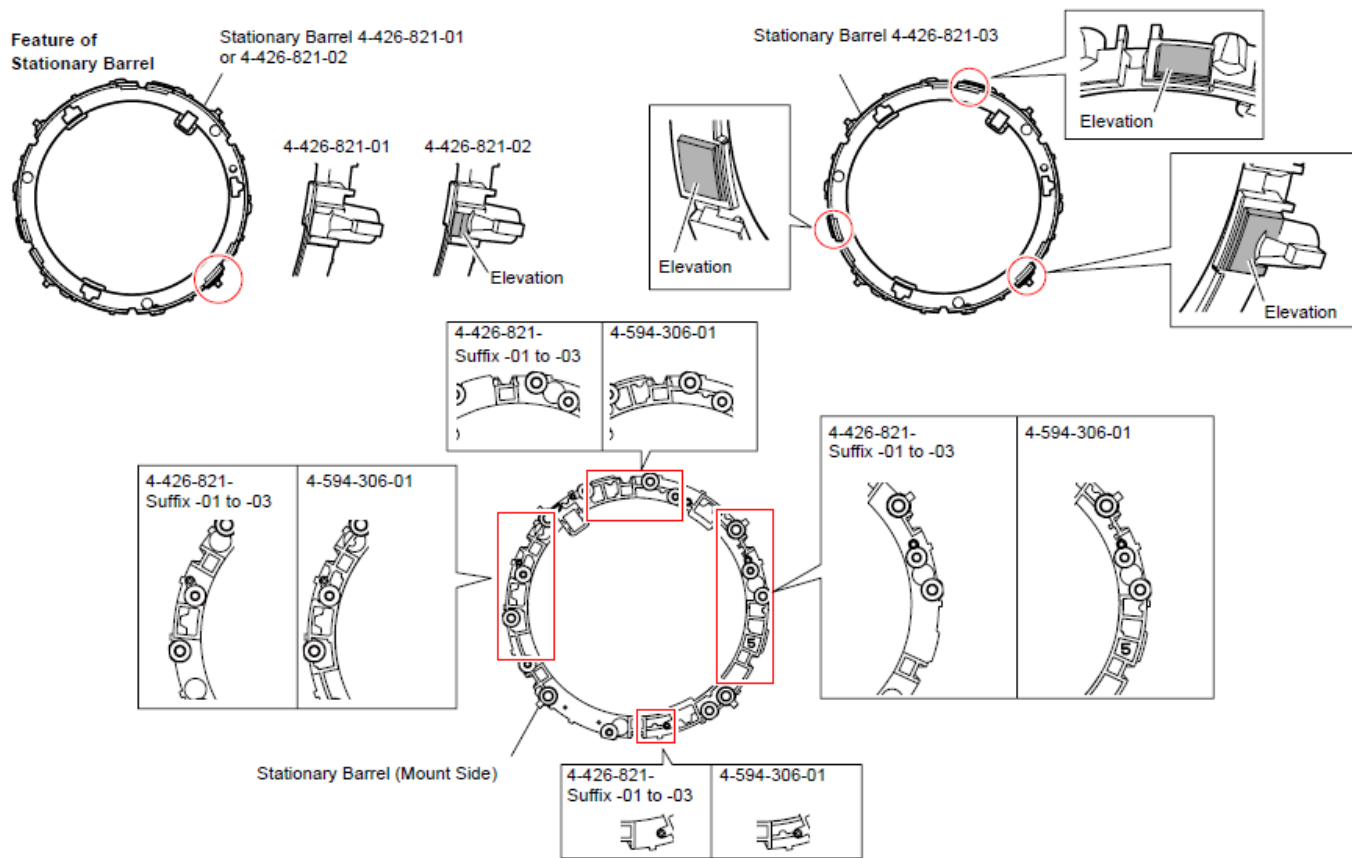
4-426-794-31 : 1ST MOVING FRAME (Silver)

When you replace 1st moving frame, please remove and reuse the cam pin from 1st moving frame before replace.

4-426-820-01 ⇒ 4-594-483-01 (Zoom Cam Barrel)

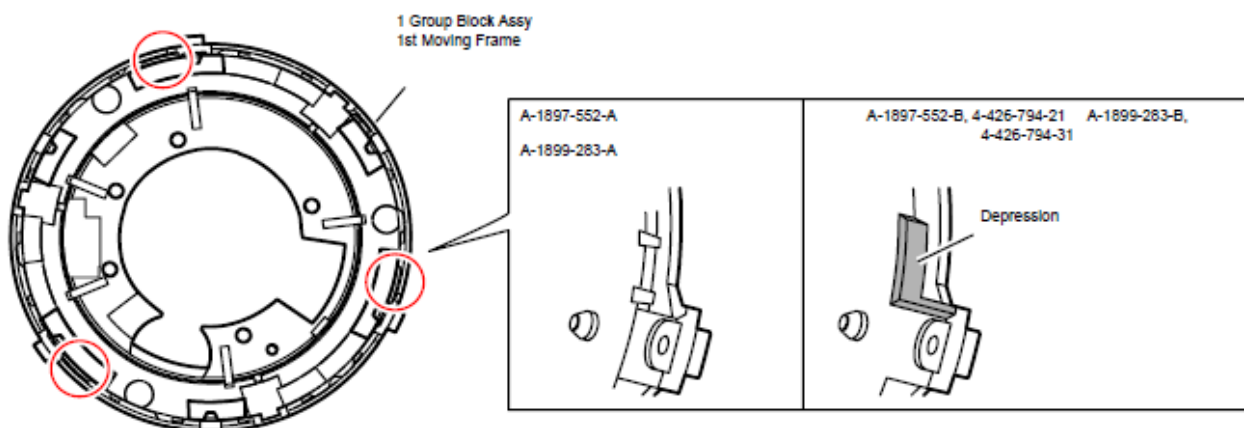


## How to Distinguish between the Old and New Stationary Barrels



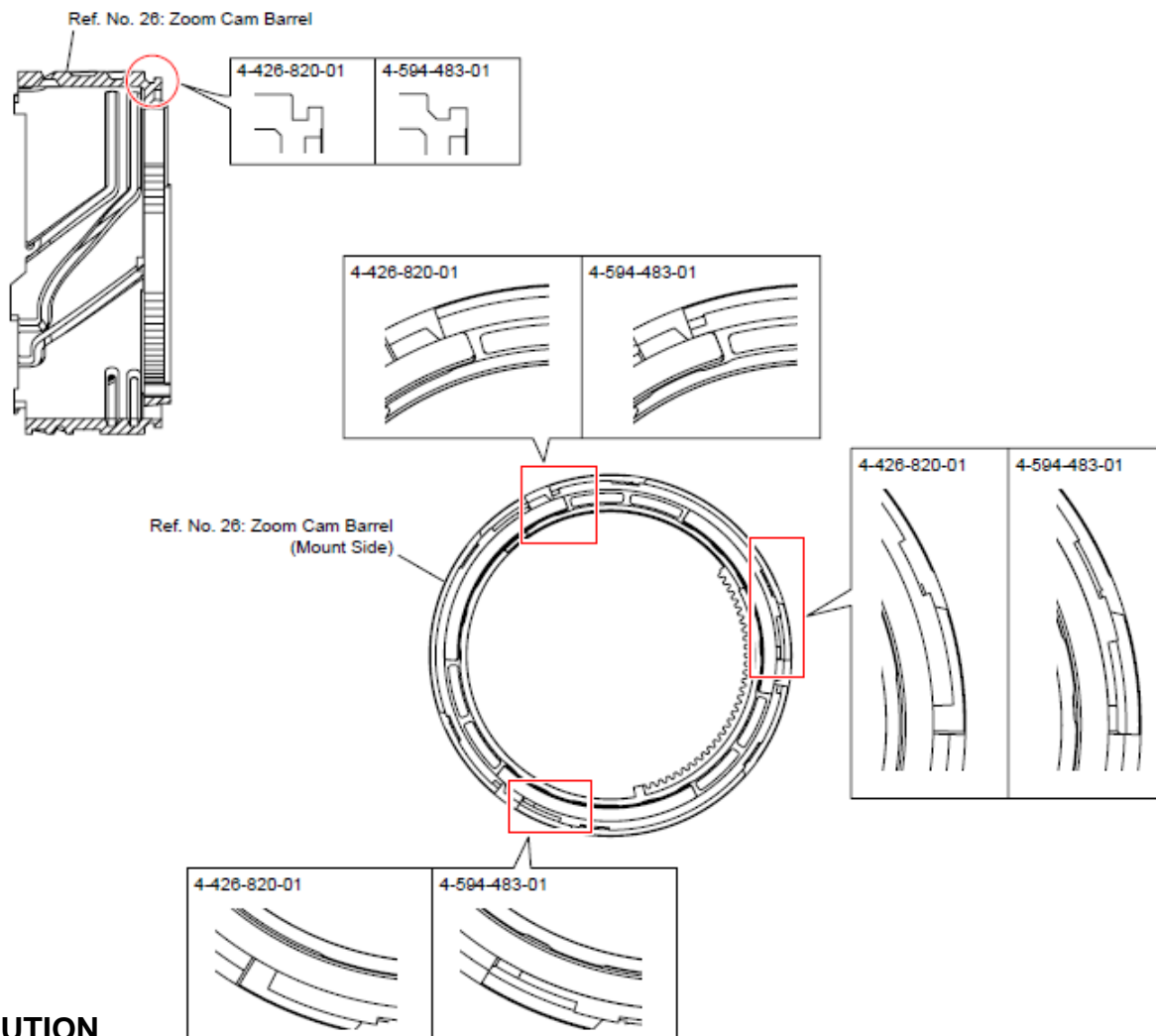
## How to Distinguish the Old and New 1 Group Block Assy (1st Moving Frame)

Feature of 1 Group Block Assy or 1st Moving Frame



# How to Distinguish between the Old and New Zoom Cam Barrel

Feature of Zoom Cam Barrel



## SOLUTION

All old parts can't be supplied.

### Note on Replacement of the 1 Group Block Assy, Stationary Barrel, 1st Moving Frame and Zoom Cam Barrel

When replacing the 1 Group Block Assy, Stationary Barrel, 1st Moving Frame and Zoom Cam Barrel, replace the parts with reference to the following combination table.

- : Combination is possible
- × : Combination is impossible

	1 Group Block Assy A-1897-552-A: Parts color for black A-1899-283-A: Parts color for silver	1 Group Block Assy A-1897-552-B: Parts color for black A-1899-283-B: Parts color for silver  1st Moving Frame 4-426-794-21: Parts color for black 4-426-794-31: Parts color for silver	Zoom Cam Barrel	
			4-426-820-01	4-594-483-01
Stationary Barrel				
4-426-821-01	●	●	●	×
4-426-821-02	●	●	●	×
4-426-821-03	×	●	●	×
4-594-306-01	×	●	×	●

## RIVISION HISTORY

REV	QTY	DATE	MEMO
		2017. 02. 16	The whole revision